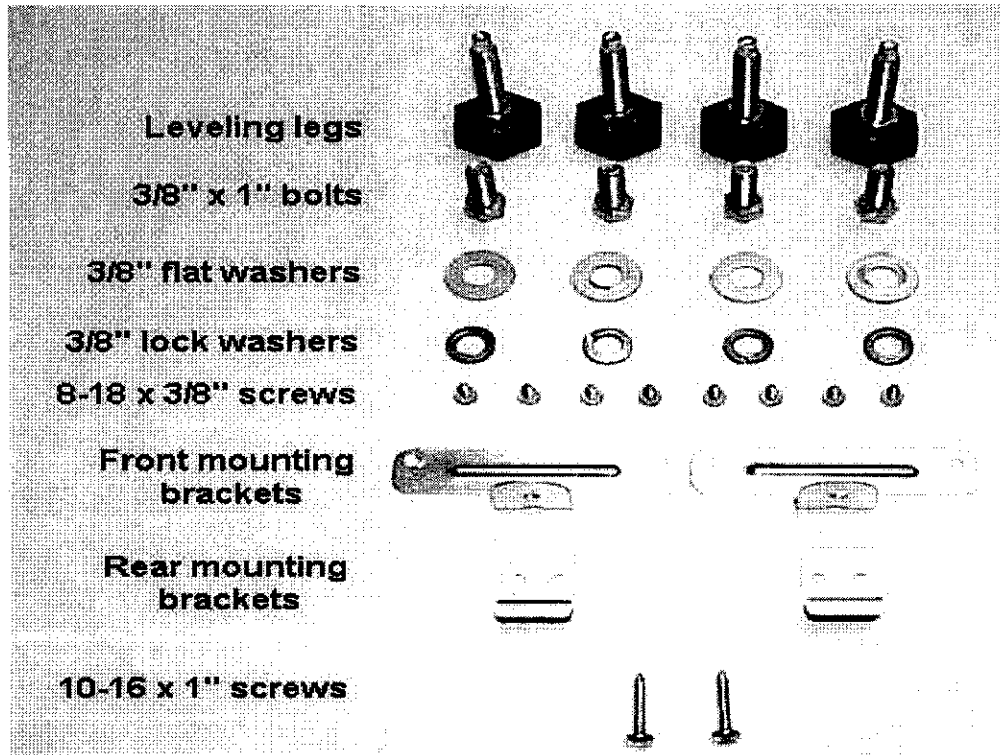


Washer & Dryer Pedestal Kit

NOTICE: This kit is intended to be installed by persons having electrical and mechanical training and a level of knowledge considered acceptable in the appliance repair trade.

This kit contains:



Tools needed:

Level
9/16" open end wrench
Channel-lock adjustable pliers
2# Phillips screwdriver
Small flat blade screwdriver

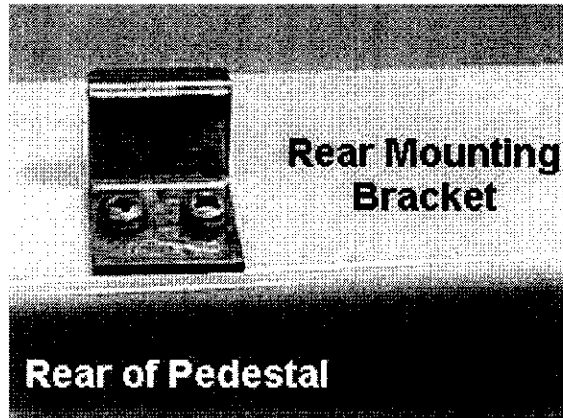
Washer Installation

1. Remove the pedestal, installation hardware and instructions from the shipping carton.
2. Carefully lay the washer on it's back.
3. Remove the four (4) leveling legs from the washer base and discard.
4. If the washer has rollers, remove the four (4) screws securing the rollers to the base and discard the rollers.
5. Install the four (4) leveling legs (supplied with the kit) fully into the pedestal.
6. Position the pedestal at the bottom of the washer base and align the pedestal mounting holes with the threaded leg holes on the washer.
7. Attach the pedestal to the washer using the four (4) 3/8" X 1" bolts, 3/8" flat washers and 3/8" lock washers.
8. Tighten the bolts with a 9/16" wrench or socket.
9. Carefully raise the washer/pedestal assembly to the upright position.
10. Reconnect the washer to the existing facilities and/or refer to the installation instructions that came with the washer for proper installation.

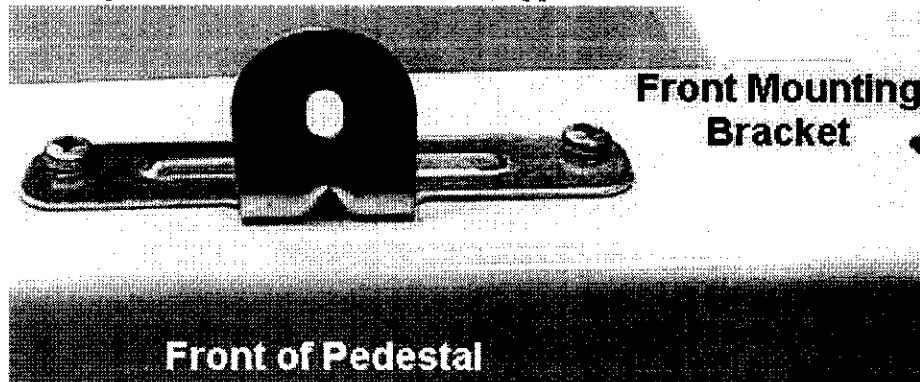
NOTE: The washer/pedestal assembly **MUST** be on a solid floor and level for proper operation. Turn the lock nut on each leveling leg up towards the pedestal base and snug with a wrench. Keep the leg extension at a minimum to prevent excessive vibration.

Dryer Installation

1. Remove the pedestal, installation hardware and instructions from the shipping carton.
2. Carefully lay the dryer on it's back.
3. Using the small flat blade screwdriver, carefully remove the hole plugs located in the bottom of the dryer front panel.
4. Remove the four (4) leveling legs from the dryer base and discard.
5. Install the four (4) leveling legs (supplied with the kit) fully into the pedestal.
6. Using four (4) 8-18 x 3/8" screws (supplied with the kit), attached the rear mounting brackets to the pedestal.



7. Using four (4) 8-18 x 3/8" screws (supplied with the kit), attach the front mounting brackets to the pedestal.



8. Place the dryer on top of the pedestal. Slide the back of the dryer into the rear brackets, then drop the front down behind the front brackets.
9. Insert the two (2) screws 10-16 x .75" (supplied with the kit) through the holes in the dryer front panel and install into the front mounting brackets.
10. Reinstall the hole plugs removed in step 3.
11. Reconnect the dryer to the existing facilities and/or refer to the installation instructions that came with the dryer for proper installation.

NOTE: The dryer/pedestal assembly **MUST** be on a solid floor and level for proper operation. Turn the lock nut on each leveling leg up towards the pedestal base and snug with a wrench. Keep the leg extension at a minimum to prevent excessive vibration.